



INSTALLATION MANUAL SHOWERS & TAPEWARE



Basin Mixer/ Kitchen Mixer

Pressure rating: Mains Pressure – Equal
Maximum operating pressure 600KPa.
Minimum operating pressure 150KPa

If supply pressure exceeds the maximum limit a limiting valve must be installed

Hot Water Temperature: Maximum continuous working temperature 80°

Hole Diameter MinØ 35 mm/MaxØ 35 mm and maximum bench thickness 30 mm

Cleaning: Clean with soft cloth and a mild liquid detergent or soap and water. DO NOT use cream cleaners or citrus based cleaning products or ammoniated products. Use of unsuitable cleaning agents may damage the surface. Any damage caused from unsuitable cleaning products or methods will not be covered by warranty.

Pre Installation Inspection: **Product must be inspected prior to installation.** Any suspected defect in the product must be notified to Heirloom as soon as possible after discovery. If a defect is found the product must not be installed. Should it be installed despite a defect being identified, or with a defect that should to have reasonably been identified, then Heirloom warranty cover will not extend beyond the product and only the product.

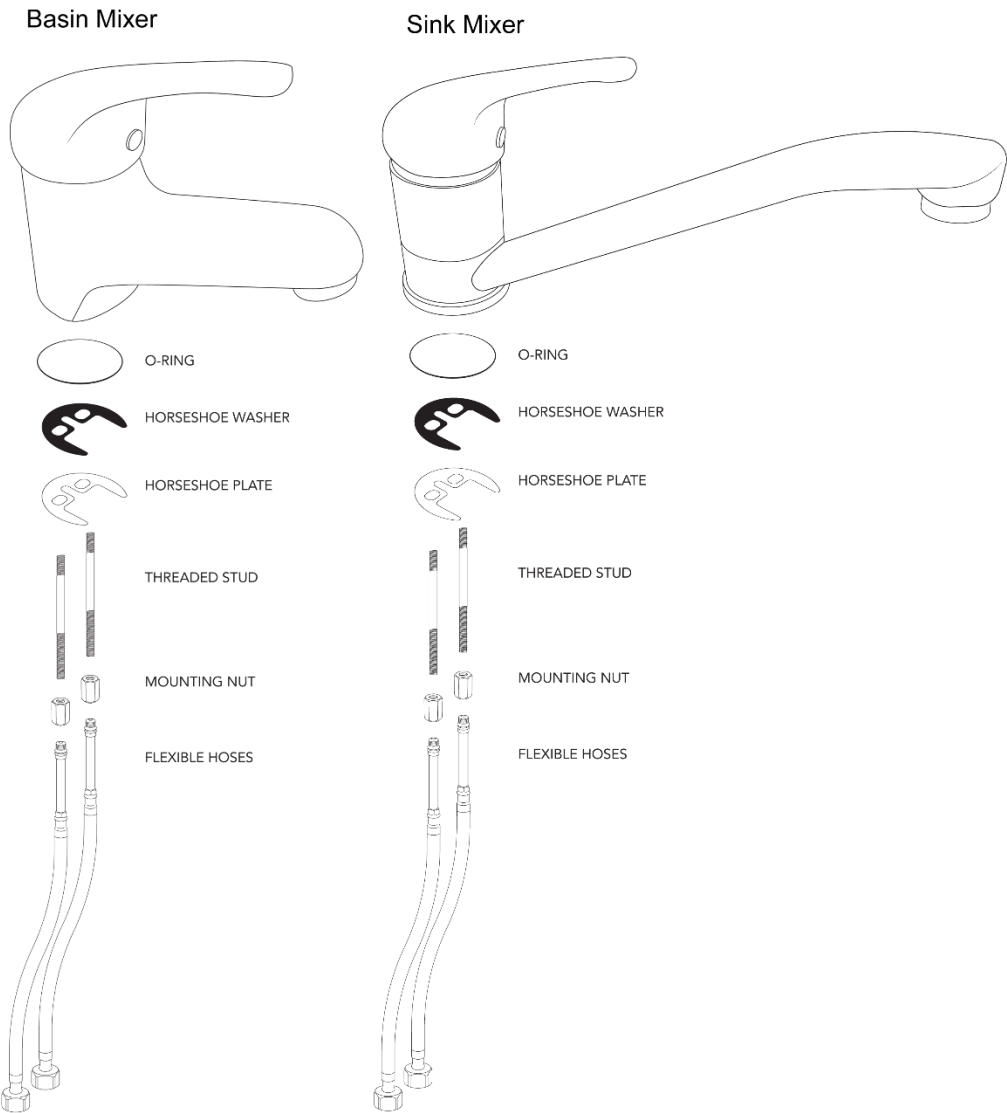
Installation: Product must be installed to the requirements of AZ/NZS 3500 and any local authority requirements. Do not dismantle the cartridge or other internal parts as the mixer is factory tested and sealed for best performance.

IMPORTANT: Ensure pipework is free of debris by flushing the lines prior to installing the product. Failure to do so may result in cartridge damage that is not covered by warranty

Cut a mounting hole to the correct diameter

Fit O ring to base plate and screw the threaded studs into the mixer base. Position the mixer over the mounting hole and feed the hose through the mounting hole

From underneath the bench fit horseshoe gasket and horseshoe Washer over both hoses and the threaded studs



Screw on mounting nuts and fasten firmly with a tube spanner to secure the mixer

Connect the water supply (red band for hot, blue band for cold). Firmly hand tighten. Overtightening can result in O Ring damage)

Ensure the hoses are not twisted or stretched and are not under tension. Do not bend to a radius of less than 25mm during installation

Turn on water and carefully check for leaks

The installer must ensure that all outlets used primarily for personal hygiene shall deliver water at a safe temperature as per regional regulations.

This mixer is not recommended for use in uncontrolled heating systems such as wet-backs or solar heating units unless a suitable tempering valve is fitted.

If limited water flow is experienced, locate aerator and filter washers and clean away foreign material as required.

Warranty:

10 year warranty for serious manufacturing defects and 5 Year warranty on ceramic cartridges. 12 month warranty on washers, O-rings and other perishable components.



Some product warranties may be affected by misuse or local conditions or failure to have a registered plumber install the product. Warranty does not cover issues arising where repair work is undertaken by a person not authorised by Heirloom

All of the following conditions apply to warranty and require that

- The item has been installed per the instructions provided
- The failure is due to a fault or defect in manufacture of the product
- Proof of purchase is provided (including purchase date)

The warranty does not include faults caused by

- Unsuitable or improper use
- Incorrect installation or installation not in accordance with the provided instructions or lack of in-line filters
- Normal wear and tear
- Inadequate or lack of maintenance
- Chemical, electrochemical, or electrical influences, “hard” water or other environmental factors.
- The impacts of harsh detergents or abrasive cleaners

For all warranty queries first contact the store where the product was purchased.

Heirloom is not liable for any (direct, indirect, or consequential); loss, damage, cost, or expense suffered or incurred (including, without limitation, any damage and/or labour charges incurred in installation, repair, or replacement) other than as provided in the above warranty provisions, under any relevant consumer protection legislation, or as agreed in writing, in advance, by Heirloom.



Shower Mixer /Mixer with Diverter

Pressure rating: Mains Pressure – Equal
 Maximum operating pressure 1000KPa.
 Minimum operating pressure 150 Kpa.

If supply pressure exceeds the maximum limit a limiting valve must be installed

Hot Water Temperature: Maximum continuous working temperature 80°

Cleaning: Clean with soft cloth and a mild liquid detergent or soap and water. DO NOT use cream cleaners or citrus based cleaning products or ammoniated products. Use of unsuitable cleaning agents may damage the surface. Any damage caused from unsuitable cleaning products or methods will not be covered by warranty.

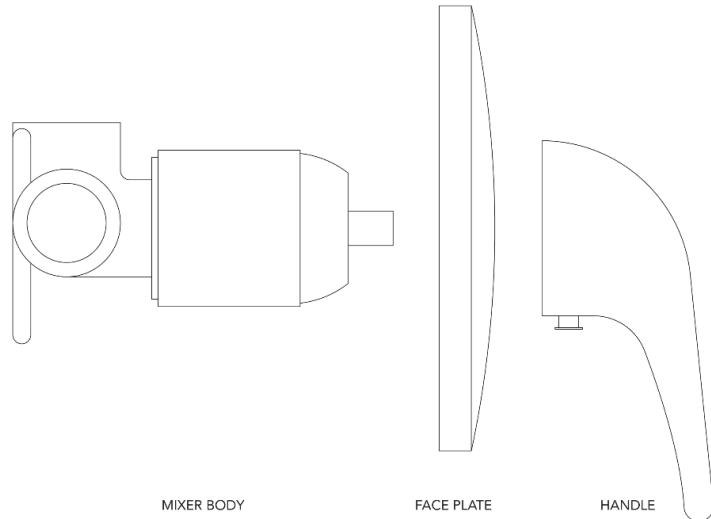
Pre Installation Inspection: **Product must be inspected prior to installation.** Any suspected defect in the product must be notified to Heirloom as soon as possible after discovery. If a defect is found the product must not be installed. Should it be installed despite a defect being identified, or with a defect that should to have reasonably been identified, then Heirloom warranty cover will not extend beyond the product and only the product.

Installation: Product must be installed to the requirements of AZ/NZS 3500 and any local authority requirements. Do not dismantle the cartridge or other internal parts as the mixer is factory tested and sealed for best performance.

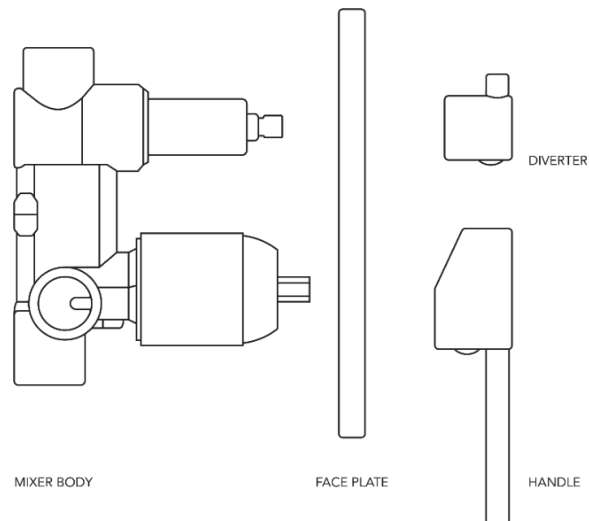
IMPORTANT: Ensure pipework is free of debris by flushing the lines prior to installing the product. Failure to do so may result in cartridge damage that is not covered by warranty

Series	Shower Mixer		Mixer Diverter	
	Wall to back of cladding distance	Cut out	Wall to back of cladding distance	Cut out
209 Series	40-70mm	65x65mm	54 -75mm	135x65mm*
603 Series	42-65mm	65x65mm*	63-78mm	135x65mm
308 Series	45-75mm	65x65mm	47-67mm	135x65mm
*tiles/decorative wall cladding must overhang cut out hole to accommodate smaller faceplate				

SHOWER MIXER



SHOWER MIXER DIVERTER



Mount the mixer body into the wall cavity securing it to the mounting stud. The distance between the rear mounting surface and the rear of the wall cladding and the cut out are as per the above

Install the faceplate onto the body assembly. Put the fixing washer on the faceplate. (If applicable install the diverter onto the mixer body and tighten with a spanner but do not damage the surface

Turn on water and carefully check for leaks

It is the responsibility of the installer to ensure a waterproof seal is achieved between the product and mounting surface. If in doubt about the quality of the seal, remove the product and reinstall.

The installer must ensure that all outlets used primarily for personal hygiene shall deliver water at a safe temperature as per regional regulations.

This mixer is not recommended for use in uncontrolled heating systems such as wet-backs or solar heating units unless a suitable tempering valve is fitted.

Warranty:

10 year warranty for serious manufacturing defects and 5 Year warranty on ceramic cartridges. 12 month warranty on washers, O-rings and other perishable components.



Some product warranties may be affected by misuse or local conditions or failure to have a registered plumber install the product. Warranty does not cover issues arising where repair work is undertaken by a person not authorised by Heirloom

All of the following conditions apply to warranty and require that

- The item has been installed per the instructions provided
- The failure is due to a fault or defect in manufacture of the product
- Proof of purchase is provided (including purchase date)

The warranty does not include faults caused by

- Unsuitable or improper use
- Incorrect installation or installation not in accordance with the provided instructions or lack of in-line filters
- Normal wear and tear
- Inadequate or lack of maintenance
- Chemical, electrochemical, or electrical influences, "hard" water or other environmental factors.
- The impacts of harsh detergents or abrasive cleaners

For all warranty queries first contact the store where the product was purchased.

Heirloom is not liable for any (direct, indirect, or consequential); loss, damage, cost, or expense suffered or incurred (including, without limitation, any damage and/or labour charges incurred in installation, repair, or replacement) other than as provided in the above warranty provisions, under any relevant consumer protection legislation, or as agreed in writing, in advance, by Heirloom.



Wall Basin Mixer

Pressure rating: Mains Pressure – Equal
Maximum operating pressure 500KPa.
Minimum operating pressure 150 Kpa.

If supply pressure exceeds the maximum limit a limiting valve must be installed

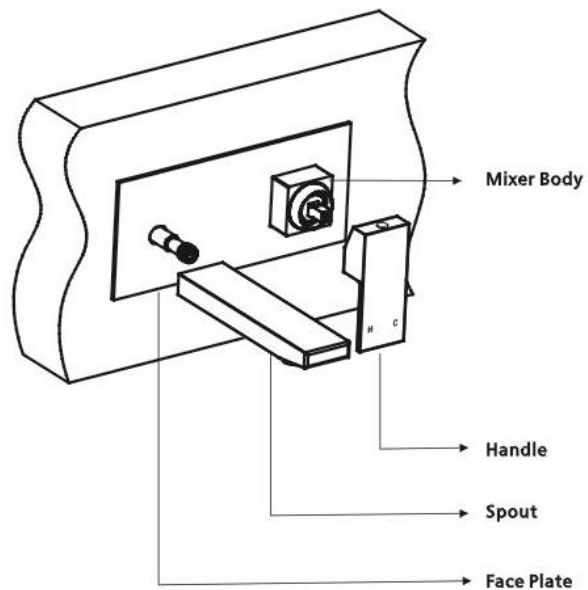
Hot Water Temperature: Maximum continuous working temperature 80°

Cleaning: Clean with soft cloth and a mild liquid detergent or soap and water. DO NOT use cream cleaners or citrus based cleaning products or ammoniated products. Use of unsuitable cleaning agents may damage the surface. Any damage caused from unsuitable cleaning products or methods will not be covered by warranty.

Pre Installation Inspection: **Product must be inspected prior to installation.** Any suspected defect in the product must be notified to Heirloom as soon as possible after discovery. If a defect is found the product must not be installed. Should it be installed despite a defect being identified, or with a defect that should to have reasonably been identified, then Heirloom warranty cover will not extend beyond the product and only the product.

Installation: Product must be installed to the requirements of AZ/NZS 3500 and any local authority requirements. Do not dismantle the cartridge or other internal parts as the mixer is factory tested and sealed for best performance.

IMPORTANT: Ensure pipework is free of debris by flushing the lines prior to installing the product. Failure to do so may result in cartridge damage that is not covered by warranty



Series	Wall Basin Set	
	Wall to back of cladding distance	Cut out
209 Series	46-60mm	170x65mm*
603 Series	46-60mm	170x65mm
308 Series	46-60mm	170x65mm
*tiles/decorative wall cladding must overhang cut out hole to accommodate smaller faceplate		

Mount the mixer body into the wall cavity securing it to the mounting stud. The distance between the rear mounting surface and the rear of the wall cladding is as per the above table and the cut out hole is as per the above table. In some cases (*) the final decorative cladding will be required to overhang the cut out so as to accommodate the faceplate

Install the faceplate onto the body assembly

Install the cover plate

Install the handle on the cartridge and fix with grub screw

Install the spout to the outlet and fix with grub screw

Turn on water and carefully check for leaks

It is the responsibility of the installer to ensure a waterproof seal is achieved between the product and mounting surface. If in doubt about the quality of the seal, remove the product and reinstall.

The installer must ensure that all outlets used primarily for personal hygiene shall deliver water at a safe temperature as per regional regulations.

This mixer is not recommended for use in uncontrolled heating systems such as wet-backs or solar heating units unless a suitable tempering valve is fitted.

Warranty:

10 year warranty for serious manufacturing defects and 5 Year warranty on ceramic cartridges. 12 month warranty on washers, O-rings and other perishable components.



Some product warranties may be affected by misuse or local conditions or failure to have a registered plumber install the product. Warranty does not cover issues arising where repair work is undertaken by a person not authorised by Heirloom

All of the following conditions apply to warranty and require that

- The item has been installed per the instructions provided
- The failure is due to a fault or defect in manufacture of the product
- Proof of purchase is provided (including purchase date)

The warranty does not include faults caused by

- Unsuitable or improper use
- Incorrect installation or installation not in accordance with the provided instructions or lack of in-line filters
- Normal wear and tear
- Inadequate or lack of maintenance
- Chemical, electrochemical, or electrical influences, "hard" water or other environmental factors.
- The impacts of harsh detergents or abrasive cleaners

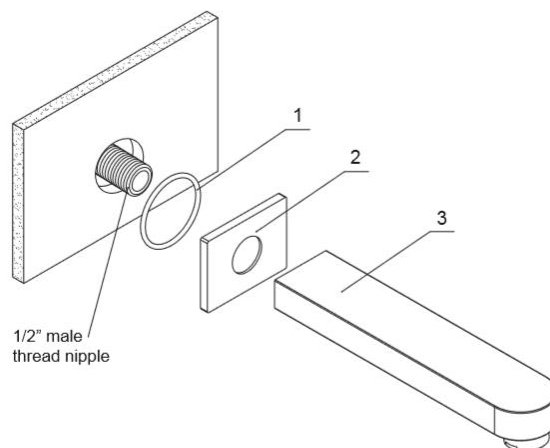
For all warranty queries first contact the store where the product was purchased.

Heirloom is not liable for any (direct, indirect, or consequential); loss, damage, cost, or expense suffered or incurred (including, without limitation, any damage and/or labour charges incurred in installation, repair, or replacement) other than as provided in the above warranty provisions, under any relevant consumer protection legislation, or as agreed in writing, in advance, by Heirloom.



Bath Spout

Hot Water Temperature:	Maximum continuous working temperature 80°
Thread Size	G1/2"
Cleaning:	Clean with soft cloth and a mild liquid detergent or soap and water. DO NOT use cream cleaners or citrus based cleaning products or ammoniated products. Use of unsuitable cleaning agents may damage the surface. Any damage caused from unsuitable cleaning products or methods will not be covered by warranty.
Pre Installation Inspection:	Product must be inspected prior to installation. Any suspected defect in the product must be notified to Heirloom as soon as possible after discovery. If a defect is found the product must not be installed. Should it be installed despite a defect being identified, or with a defect that should to have reasonably been identified, then Heirloom warranty cover will not extend beyond the product and only the product.
Installation:	Product must be installed to the requirements of AZ/NZS 3500 and any local authority requirements. Do not dismantle the cartridge or other internal parts as the mixer is factory tested and sealed for best performance. IMPORTANT: Ensure pipework is free of debris by flushing the lines prior to installing the product. Failure to do so may result in cartridge damage that is not covered by warranty



Insert the O Ring (1) into the base

Place the base (2) over the water pipe nipple

Apply plumber's sealant tape to the nipple

Screw the spout (3) firmly to water piping and align correctly

Remove the Aerator and turn on water and carefully check for leaks and let hot and cold water run for about one minute to clear possible debris.

The installer must ensure that all outlets used primarily for personal hygiene shall deliver water at a safe temperature as per regional regulations.

Warranty:

10 year warranty for serious manufacturing defects and 5 Year warranty on ceramic cartridges. 12 month warranty on washers, O-rings and other perishable components.



Some product warranties may be affected by misuse or local conditions or failure to have a registered plumber install the product. Warranty does not cover issues arising where repair work is undertaken by a person not authorised by Heirloom

All of the following conditions apply to warranty and require that

- The item has been installed per the instructions provided
- The failure is due to a fault or defect in manufacture of the product
- Proof of purchase is provided (including purchase date)

The warranty does not include faults caused by

- Unsuitable or improper use
- Incorrect installation or installation not in accordance with the provided instructions or lack of in-line filters
- Normal wear and tear
- Inadequate or lack of maintenance
- Chemical, electrochemical, or electrical influences, “hard” water or other environmental factors.
- The impacts of harsh detergents or abrasive cleaners

For all warranty queries first contact the store where the product was purchased.

Heirloom is not liable for any (direct, indirect, or consequential); loss, damage, cost, or expense suffered or incurred (including, without limitation, any damage and/or labour charges incurred in installation, repair, or replacement) other than as provided in the above warranty provisions, under any relevant consumer protection legislation, or as agreed in writing, in advance, by Heirloom.

Shower Set

Hot Water Temperature: Maximum continuous working temperature 80°C

Cleaning: Clean regularly with soft cloth and a mild liquid detergent or soap and water. DO NOT use cream cleaners or citrus based cleaning products or ammoniated products. Use of unsuitable cleaning agents may damage the surface. Any damage caused from unsuitable cleaning products or methods will not be covered by warranty. A filter washer should be installed in the hose cone on the water outlet and it should be cleaned periodically

The build-up of lime scale may compromise performance. Soak in lime scale remover for at least 10 minutes. Do not use products that contain chlorine bleach or hydrochloric acid as this can result in damage to the shower. Always Rinse the shower thoroughly after cleaning to remove and residue of cleaning agents that can damage the shower. Note: never insert objects into the spray nozzles or try to remove lime scale with sharp objects or abrasives.

Pre Installation Inspection: **Product must be inspected prior to installation.** Any suspected defect in the product must be notified to Heirloom as soon as possible after discovery. If a defect is found the product must not be installed. Should it be installed despite a defect being identified, or with a defect that should to have reasonably been identified, then Heirloom warranty cover will not extend beyond the product and only the product.

Installation: Product must be installed to the requirements of AZ/NZS 3500 and any local authority requirements. Do not dismantle the cartridge or other internal parts as the mixer is factory tested and sealed for best performance.

IMPORTANT: Ensure pipework is free of debris by flushing the lines prior to installing the product. Failure to do so may result in cartridge damage that is not covered by warranty

Ensure the shower rail is secured to suitable sub strata that will hold the shower firmly in place. Toggle fittings will render warranty void

Determine the location of the sliding bar to provide a convenient height for the shower head at various heights for the sliding hand spray holder and to secure to suitable substrata

Handle the product with care during installation to avoid surface marking or scratching

Mark location of bottom holes

Use a spirit level to mark the centre of top fixing points to ensure the shower will be vertical

Mark the location of the top holes according to the dimensions of the product

Drill bottom holes, double check location of top holes then drill top holes

Fill holes with suitable silicon then use fixings and anchors suitable for the substrata. IF using the fixings supplied, hole diameter 6 mm, depth 20mm (recommended) then insert wall anchors in holes

Screw both wall brackets onto the wall ensuring vertical alignment

Attach the sliding bar onto the wall bracket

Install the elbow to the wall plumbing. A G1/2" water supply nipple is required and it should extend about 10 – 13mm perpendicular to the wall.

Apply plumber's sealant tape to the nipple

Apply a ring of plumbers putty or sealant around the back surface of the elbow

Thread the elbow onto the water supply nipple and make sure the outlet point faces downward

Connect the shower hose and shower head. Tighten firmly but do not over tighten or mark the surface finish. Ensure all seals are in place and not damaged during assembly

Connect the other end of the shower hose to the elbow making sure all seas/washers are in place and not damaged during connection. Tighten firmly

Place the shower head into the hand spray holder

Ensure all connections are tight, turn on main water supply and check for leaks, repairing as needed.

Remove the hand spray and run water for about one minute to remove debris.

The height of the hand spray holder can be adjusted to preferred height

The installer must ensure that all outlets used primarily for personal hygiene shall deliver water at a safe temperature as per regional regulations.

Warranty:

10 year warranty for serious manufacturing defects and 5 Year warranty on ceramic cartridges. 12 month warranty on washers, O-rings and other perishable components.



Some product warranties may be affected by misuse or local conditions or failure to have a registered plumber install the product. Warranty does not cover issues arising where repair work is undertaken by a person not authorised by Heirloom

All of the following conditions apply to warranty and require that

- The item has been installed per the instructions provided
- The failure is due to a fault or defect in manufacture of the product
- Proof of purchase is provided (including purchase date)

The warranty does not include faults caused by

- Unsuitable or improper use
- Incorrect installation or installation not in accordance with the provided instructions or lack of in-line filters
- Normal wear and tear
- Inadequate or lack of maintenance
- Chemical, electrochemical, or electrical influences, “hard” water or other environmental factors.
- The impacts of harsh detergents or abrasive cleaners

For all warranty queries first contact the store where the product was purchased.

Heirloom is not liable for any (direct, indirect, or consequential); loss, damage, cost, or expense suffered or incurred (including, without limitation, any damage and/or labour charges incurred in installation, repair, or replacement) other than as provided in the above warranty provisions, under any relevant consumer protection legislation, or as agreed in writing, in advance, by Heirloom.

Two in One (Dual) Shower Set

Hot Water Temperature: Maximum continuous working temperature 80°C

Cleaning: Clean regularly with soft cloth and a mild liquid detergent or soap and water. DO NOT use cream cleaners or citrus based cleaning products or ammoniated products. Use of unsuitable cleaning agents may damage the surface. Any damage caused from unsuitable cleaning products or methods will not be covered by warranty. A filter washer should be installed in the hose cone on the water outlet and it should be cleaned periodically

The build-up of lime scale may compromise performance. Soak in lime scale remover for at least 10 minutes. Do not use products that contain chlorine bleach or hydrochloric acid as this can result in damage to the shower. Always Rinse the shower thoroughly after cleaning to remove and residue of cleaning agents that can damage the shower. Note: never insert objects into the spray nozzles or try to remove lime scale with sharp objects or abrasives.

Pre Installation Inspection: **Product must be inspected prior to installation.** Any suspected defect in the product must be notified to Heirloom as soon as possible after discovery. If a defect is found the product must not be installed. Should it be installed despite a defect being identified, or with a defect that should to have reasonably been identified, then Heirloom warranty cover will not extend beyond the product and only the product.

Installation: Product must be installed to the requirements of AZ/NZS 3500 and any local authority requirements. Do not dismantle the cartridge or other internal parts as the mixer is factory tested and sealed for best performance.

IMPORTANT: Ensure pipework is free of debris by flushing the lines prior to installing the product. Failure to do so may result in cartridge damage that is not covered by warranty

The water supply connects directly into the top fixing of the unit. If the water supply is already plumbed this will determine the location of the shower unit.

Handle the product with care during installation to avoid surface marking or scratching

Make sure all seals/washers are in place and not damaged during connection.

Check that the location of the sliding bar provides a convenient height for the rain shower and for the sliding shower head and a secure substrata for fixing. If the location and substrata is unsuitable do not proceed

If not already plumbed then ensure that the unit will be secured to suitable sub strata that will hold the shower firmly in place. Determine the height of the top fixing point which is where the water supply will connect with the unit. The height should provide a convenient height for the rain shower head and for the location of the hand shower.

When marking the bottom fixing point use a spirit level to ensure the unit is perpendicular

Toggle fittings will render warranty void

With the water supply plumbed place the unit into position and mark the bottom fixing point and drill holes

Connect the wall elbow to the water source on the wall

(A G1/2" water supply nipple is required and it should extend about 10 – 13mm perpendicular to the wall. Apply plumber's sealant tape to the nipple). Make sure that the O ring is in place prior to tightening the hose adaptor.

For the bottom fixing, fill holes with suitable silicon then use fixings and anchors suitable for the substrata. If using the fixings supplied, hole diameter 6 mm, depth 20mm (recommended) then insert wall anchors in holes

Fix the bottom elbow to the wall

Place the two cover plates on to the elbows

Attach the shower rail to the wall

Connect the shower hose and shower head. Tighten firmly but do not over tighten or mark the surface finish. Connect the other end of the shower hose to the rail. Tighten firmly

Place the shower head into the hand spray holder

Ensure all connections are tight, turn on main water supply and check for leaks, repairing as needed.

Remove the hand spray from the flexi hose and run water for about one minute to remove debris.

The height of the hand spray holder can be adjusted to preferred height

The installer must ensure that all outlets used primarily for personal hygiene shall deliver water at a safe temperature as per regional regulations.

Warranty:

10 year warranty for serious manufacturing defects and 5 Year warranty on ceramic cartridges. 12 month warranty on washers, O-rings and other perishable components.



Some product warranties may be affected by misuse or local conditions or failure to have a registered plumber install the product. Warranty does not cover issues arising where repair work is undertaken by a person not authorised by Heirloom

All of the following conditions apply to warranty and require that

- The item has been installed per the instructions provided
- The failure is due to a fault or defect in manufacture of the product
- Proof of purchase is provided (including purchase date)

The warranty does not include faults caused by

- Unsuitable or improper use
- Incorrect installation or installation not in accordance with the provided instructions or lack of in-line filters
- Normal wear and tear
- Inadequate or lack of maintenance
- Chemical, electrochemical, or electrical influences, “hard” water or other environmental factors.
- The impacts of harsh detergents or abrasive cleaners

For all warranty queries first contact the store where the product was purchased.

Heirloom is not liable for any (direct, indirect, or consequential); loss, damage, cost, or expense suffered or incurred (including, without limitation, any damage and/or labour charges incurred in installation, repair, or replacement) other than as provided in the above warranty provisions, under any relevant consumer protection legislation, or as agreed in writing, in advance, by Heirloom.