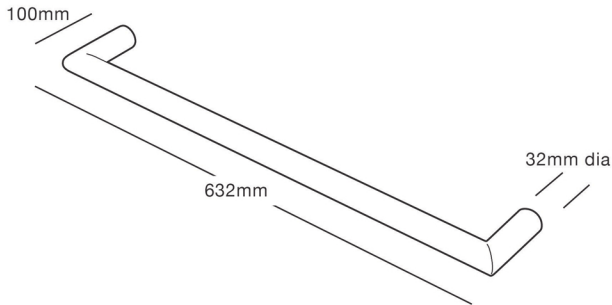


STRATA GENESIS 632

632x32x100

WGS632/WGS632B/WGS632N/WGS632GM

WGS632BN/WGS632MW/WGS632BB



MEASUREMENTS SUBJECT TO MANUFACTURING TOLERANCE