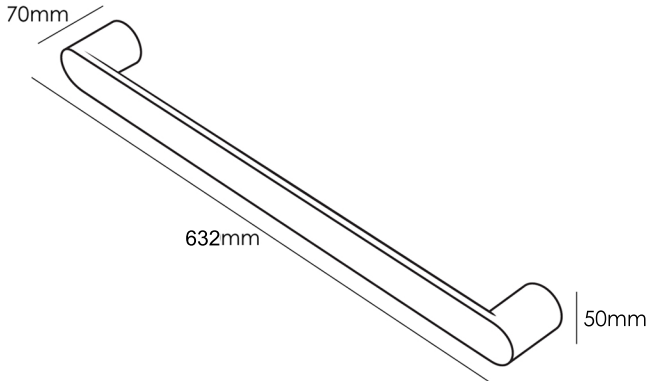


STRATA ANNEX 632

632x50x70

WAS632/B/N/GM/BN/MW/BB/BC



MEASUREMENTS SUBJECT TO MANUFACTURING TOLERANCE