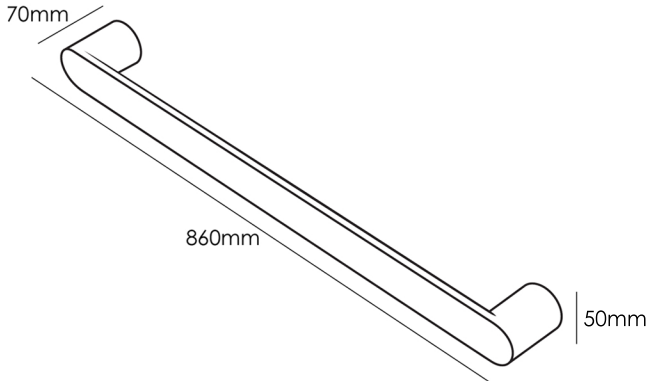


**STRATA ANNEX 860**  
**860x50x70**  
**WAS860**



**MEASUREMENTS SUBJECT TO MANUFACTURING TOLERANCE**