

STRATA

SINGLE BAR TOWEL WARMERS

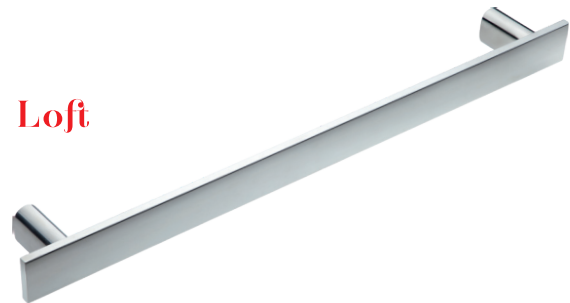
HEIRLOOM
heirloom.co.nz

Single bar warmers, are the flexible innovation in towel warmer design. They allow you to design your own warmer display and give you the choice of exactly how many rungs you'd prefer and how you'd like them laid out. The Strata range with concealed wiring delivers design-driven styles; round, square, slat and linear or curved, in a range of finishes to match any bathroom.

Genesis



Loft



Studio 1



Heiko



Studio 1 Curved



Annex



INSTALLATION INSTRUCTIONS

SAFETY FIRST

1. This is a heating appliance and it will be hot to the touch. Due caution must be exercised when placing or removing towels and when coming in to close proximity to the appliance .
2. Care must be taken with fibres and other materials with non-slip backings as these may have low heat resistance, and could be damaged. Care must be taken to ensure that towels are free from oil based or other substances that could cause discolouration of the towel.

The appliance is a towel warmer and therefore should be used only for that purpose. It should not be used by children or by anyone with mental, physical, or sensory impediments, or lack of knowledge of the appliance, unless they under the supervision of those responsible for their welfare and safety. Children must not use this appliance as a play thing.

This towel rail is designed to warm towels only. Note: for the safety of young children, the lowest rail should not be lower than 600mm from the floor. There are no user-serviceable parts. Should you require service or repair it must be undertaken by an authorised electrician and Heirloom must be contacted in the first instance, so as to not void warranty.

ELECTRICAL COMPLIANCE

This Strata towel warmer system must be installed by a registered electrician. Work with your electrician to determine the optimum position.

When locating these warmers, allow a minimum 50mm clearance to surrounding surfaces.

The transformer (sold separately), must be positioned in a ceiling cavity, (not covered by insulating substances e.g. batts), a wall cavity, or cupboard, or a dry accessible place. Do not position the transformer more than 2 metres from the rail.

For your safety, an isolating switch must be installed, and comply with wiring safety guidelines AS/NZ3000 wiring rules.

Correct fixing of the crimp connectors and heat shrink for this warmer system, is required for IP47 compliance. Heirloom Strata towel warmers are compliant with the Australasian Standard AS/NZ60335, for positioning in bathroom zone1, the area near baths and showers.

The transformer is for indoor use only. Refer to table 1 for transformer requirements. Strata towel warmers are designed to be installed with Heirloom WTS12 transformer only. (See table 1 over page). Using other power supplies will void warranty.

SITE PREPARATION

Strata warmer rails may be installed on to any wall type – timber or steel stud, solid or cavity masonry or concrete. DO NOT attempt to fix the warmer units to plaster board or cement board. These substrates alone are not sufficiently strong to support rails. A strong support substrate (structure) must be in place before installation.

On stud walls, once the position of the rails has been determined, extra studs or nogs may need to be installed to ensure secure fixing points for all legs. If no framing structure is suitable, you may cover a larger area with 18mm ply for secure fixing. If fixing the rail to a plaster board or cement board surface (with appropriate substrate) care must be taken not to damage the surface of the board to achieve a secure mounting of the rail.

INSTALLATION INSTRUCTIONS

PRE-WIRING

For wood or steel framing

Clearly mark on the studs, where all the rail feet will be positioned. Choose which side of the warmer you want the power cable to go to the rail. Determine the position for the transformer. (Refer to "Electrical Compliance").

The wiring will normally run vertically between nogs to line up with the warmer foot position. Drill two holes 10 -12mm diameter at right angles so that one breaks in to the other. Pass low voltage power cable to each foot position chosen for connection. Looping wire to provide a continuous power source between each foot. (See fig1). Wire must be a suitable gauge for current drawn by Strata rails.

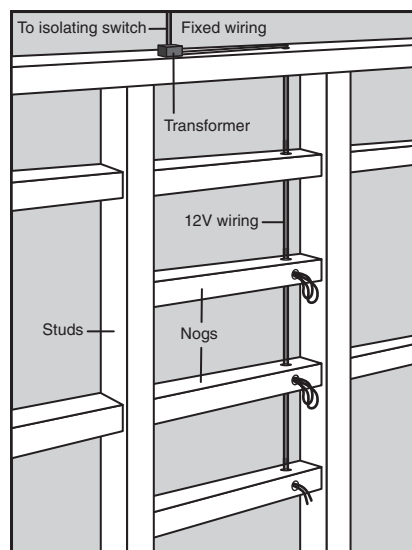


Figure 1

For masonry walls

Use a masonry saw or disc grinder with a masonry disc, to cut a continuous groove 25mm deep, between the Strata towel warmer foot positions for wire entry and the transformer position. (see fig 2)

Insert low voltage power cable (not supplied) into the groove and at each foot position make a loop of cable protruding approximately 150mm out from the groove. (see fig 3). Low voltage power cable (not supplied) is required to connect the transformer with the Strata rails that the transformer will supply.

Cement render over the groove to conceal the power cable, making sure that the loops are protruding from the groove, to allow for electrical connection.

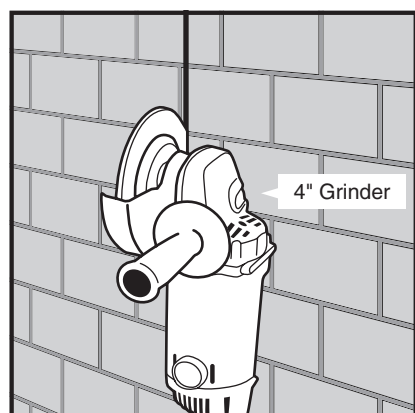


Figure 2

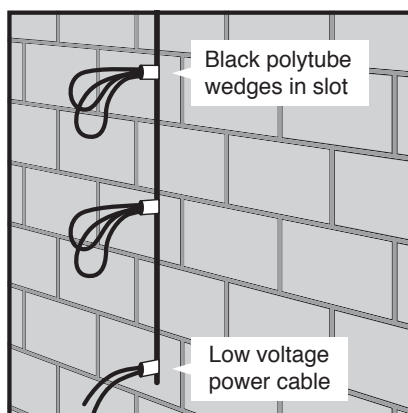


Figure 3

Strata Transformers

Length	Units per transformer
460	4
632, 690, 700	4
860	3

Table 1

STRATA

SINGLE BAR TOWEL WARMERS

INSTALLATION INSTRUCTIONS

Multiple Strata rails connected to one transformer are connected in parallel.

CONNECTING STRATA RAILS

IMPORTANT: Strata rails are manufactured with two elements. Only one element must be connected.

The tails of the unused element must be cut off. For all models except Heiko: (refer Fig 4 and 5)

Use the Strata rail as a positioning guide to locate and mark mounting points. (Use a spirit level to ensure these points are horizontal). Drill a hole 8-10mm diameter for the wires to pass through for the leg that will be connected to the power supply. Drill 2.5mm holes as pilot holes for the long stainless steel screws to hold mounting blocks to timber behind tiles and plaster board.

To maintain IP47 compliance, connect towel rail to supply using crimp sleeves and heat shrink supplied. Position excess wire and connectors into the wall.

Position the towel warmer over the mounts and against the wall. (Ensure that the wall mount is not visible.) Tighten the grub screws with 2.5mm allen key supplied.

HEIKO Models (Refer (Fig 6)

NOTE: Heiko models require a special nylon fixing barrel to accommodate the power supply cable. To fit this fixing barrel drill a 12.5mm hole on the side that will be connected to the power cable. Tap the fixing barrel in to place so that the flange is flush with the wall. (Refer Fig 6)

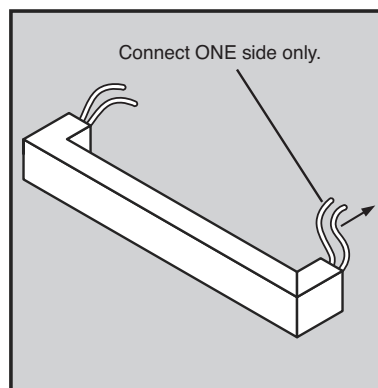


Figure 4

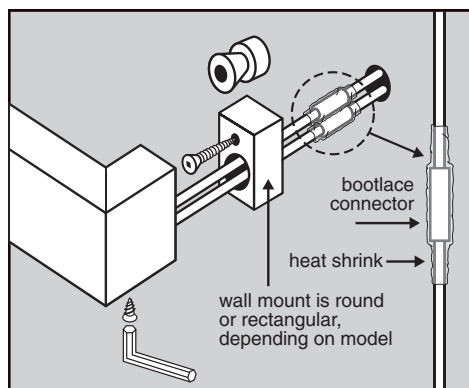
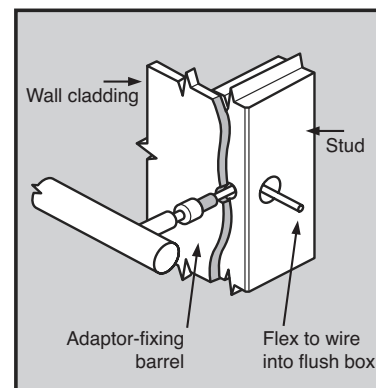


Figure 5



HEIKO model only. Figure 6

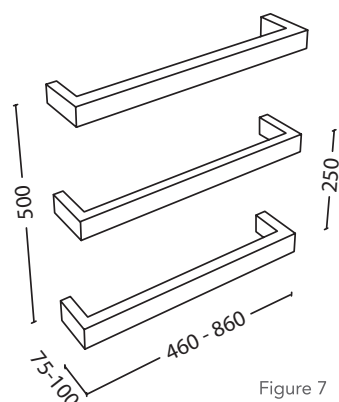


Figure 7

WALL SPACING Fig 7

Side wall clearance minimum 50mm
Minimum 600mm from floor
Minimum 250mm from ceiling
Typical 250mm spacing between rails

ISOLATION SWITCH All Strata Rails

There must be a separate switch in the bathroom solely for the Strata warmer power supply, so that it can be independently isolated from the main electricity supply. This can be incorporated into a "gang" switch plate along with other switches eg. lights.

Wiring from the transformer must be of a suitable gauge for the total current of the installed Strata rails

STRATA

SINGLE BAR TOWEL WARMERS

HEIRLOOM
heirloom.co.nz

COMPONENTS

- 1 x Strata Rail
- 1 x Wall mount pack – stainless steel screws 60 x 8G x 2, wall plugs, allen key
- 1 x Termination pack – bootlace crimps x 2, heat shrink 40mm x 4.8mm 2pcss
- 1 x Nylon mounting barrel (Heiko WHS690 only)

SPECIFICATIONS

Recommended use	Residential and Commercial	Power entry	Dual element (left or right element)*
Construction materials	Stainless steel	Power Supply	12 VAC (WTS12 SELV safety transformer sold separately) Complies with AS/NZS61558
Finish	Polished Stainless, Black, Brushed Nickel, Gunmetal Matt White, Brushed Brass	Standards	AS/NZS60335.2.43
Element	Replaceable (By Heirloom)	IP rating	IP47

Note: *Strata towel warmers are dual element. Only one (1) side is to be connected.

CARE AND CLEANING

The finish of your Strata towel warmer is hard wearing and easily maintained. Clean regularly using a moist soft cloth. Dry with a separate cloth if necessary. Do not use abrasive or ammoniated cleaning agents.

With Heirloom Strata towel warmers you get these outstanding features.



Heirloom towel warmers are proudly designed and marketed in Australasia by Heirloom International, a 100% New Zealand owned company.



For installation flexibility and confidence all Heirloom warmers are Australasian Standard rated for positioning in bathroom Zone 1, the area next to baths and showers.



Heirloom Strata stainless steel towel warmers have a 10 year warranty.



Heirloom towel warmers are designed in New Zealand specifically for the Australasian market. They are tested and certified by a world class New Zealand testing laboratory to meet stringent Australasian product standards.



Strata stainless steel warmers can be wired on left or right hand side so you don't need to decide in advance. It makes installation easier.



Heirloom Strata colour finishes have a 5 year warranty.



Heirloom Strata towel warmer designs are compliant with the Australasian Standard and have the top IP47 rating for installation safety.



Strata warmers are powered by Heirloom's Strata transformer.

Should you need further help or information, feel free to contact us via our website, www.heirloom.co.nz, or on our Customer Helpline 0800 HEIRLOOM (434 756). Heirloom reserves the right to alter design, material, and specifications without notice. All dimensions are subject to manufacturing tolerances and should be checked prior to installation.

OCT 2020 | 5 **ELECTRICIAN** Please leave these Installation Instructions with the householder for future reference.

STRATA

SINGLE BAR TOWEL WARMERS

HEIRLOOM
heirloom.co.nz

TECHNICAL DETAILS

STUDIO 1

Strata Studio 1 860

Size 860 x 100
Profile 40 x 20
Watts 32
Stainless Steel WSS860
Black (Noir) WSS860N
Brushed Nickel WSS860BN
Gunmetal WSS860GM

Strata Studio 1 632

Size 632 x 100
Profile 40 x 20
Watts 23
Stainless Steel WSS632
Black (Noir) WSS632N
Brushed Nickel WSS632BN
Gunmetal WSS632GM
Brushed Brass WSS632BB
Matt White WSS632MW (27W)

Strata Studio 1 460

Size 460 x 100
Profile 40 x 20
Watts 17
Stainless Steel WSS460
Black (Noir) WSS460N
Brushed Nickel WSS460BN
Gunmetal WSS460GM

Strata Studio 1 700 Curved

Size 700 x 100
Profile 40 x 20
Watts 21
Stainless Steel WSSC700

GENESIS

Strata Genesis 860

Size 860 x 100 x 32
Watts 28
Stainless Steel WGS860
Black (Nero) WGS860N
Brushed Nickel WGS860BN
Gunmetal WGS860GM

Strata Genesis 632

Size 632 x 100 x 40
Watts 18
Stainless Steel WGS632
Black (Nero) WGS632N
Brushed Nickel WGS632BN
Gunmetal WGS632GM
Brushed Brass WGS632BB
Matt White WGS632MW (27W)

Strata Genesis 460

Size 460 x 100 x 32
Watts 14
Stainless Steel WGS460
Gunmetal WGS460GM

HEIKO

Strata Heiko 690

Size 690 x 100 x 45
Watts 20
Stainless Steel WHS690
Black (Noir) WHS690N

ANNEX

Strata Annex 632

Size 632 x 70 x 50
Watts 19
Stainless Steel WAS632
Black WAS632N
Gunmetal WAS632GM
Brushed Nickel WAS632BN
Brushed Brass WAS632BB
Matt White WAS632MW

Strata Annex 860

Size 860 x 70 x 50
Watts 26
Stainless Steel WAS860

LOFT

Strata Loft 690

Size 690 x 75
Profile 50 x 10
Watts 18
Stainless Steel WLS690
Black (Noir) WLS690N